



SPECIFICATIONS

MODELS GS-200 and GS-300 SOURCE HOLDERS

Description:

Ronan GS 200 and GS 300 Source Holders can be mounted either internally or externally to the vessel, pipe or mold and are cylindrical in shape for use in installations where space is restricted.

Source Holder:

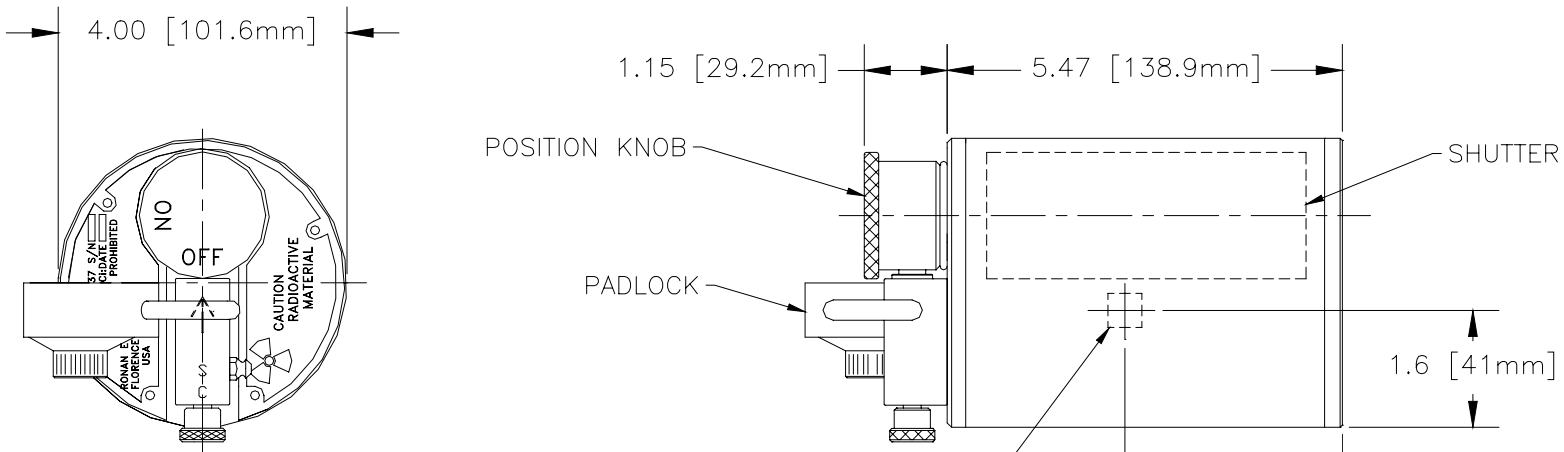
Construction:	304 Stainless Steel Housing With Lead Or Tungsten Shielding Surrounding A Doubly Encapsulated, Heliarc-Welded Stainless Steel Source Capsule.
Handle:	Mechanical Rotary Shutter (Air Shutter Optional) Lockable in the OFF Position Only
Weight:	Approximately 25 lbs (11 kg)
Temperature Limit:	300 Degrees F. (148 Degrees C)
Collimation:	GS-200 up to 37 Degrees. GS-300 up to 90 Degrees
Maximum Source Size:	GS-200 up to 50 mCi (1.85 GBq) Cs-137 (Strip or Point Source) GS-300 up to 70 mCi (1.85 GBq) Cs-137 (Strip or Point Source)
Radiation Fields:	Meets all International Standards for Surface Radiation Limits.

Options:

**Shutter Position Indicator Contact Output.
Air or Electric Actuated Shutter with Position Indicator Contact Output.**

MODELS GS-200 and GS-300 SOURCE HOLDERS

GS 200



GS 300

