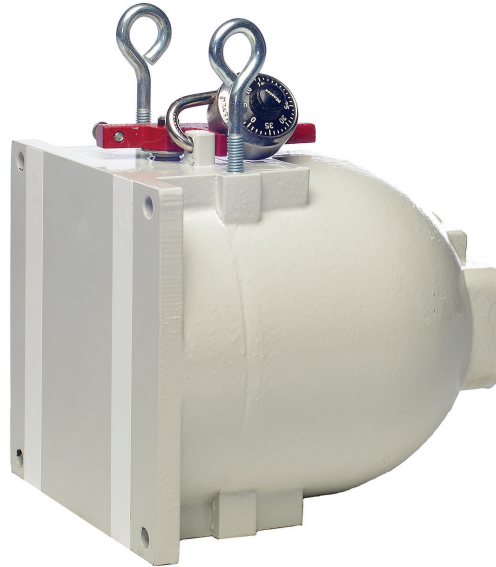


## Model SA-1 Source Holder

Ronan SA-1 is an external-mount, rugged, general purpose source holder suitable for a wide range of applications.



**Construction:** Ductile iron casting. Available in 304 stainless steel casting or PVC coated ductile iron as options for harsh environments. Lead or tungsten shielding surrounding a double encapsulated, Heliarc welded stainless steel source capsule.

**Handle:** Mechanical rotary shutter (air shutter optional). Lockable in the OFF position only.

**Weight:** Approximately 165 lbs (75kg)

**Paint:** Protective coating – Epoxy-based (grey as standard, customer specified colors available)

**Temperature Limit:** 300° F (148° C)

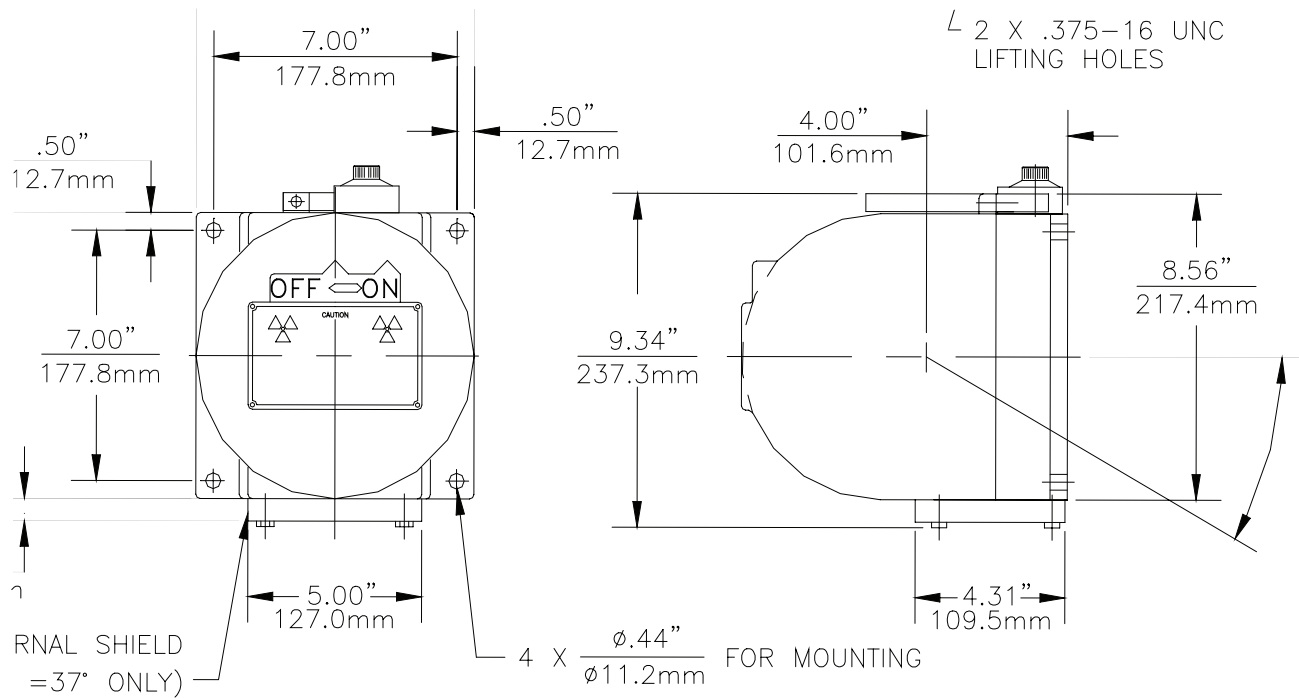
**Collimation:** Beam Pattern up to 37 Degrees. (Dependent upon application)

**Maximum Source Size:** 5 Curies (185 GBq) CS-137, 18 mCi (0.67 GBq) Co-60

**Radiation Fields:** Meets all international standards for surface radiation limits

**Options:** Shutter position indicator contact output  
Air or electric actuated shutter with position indicator contact output

# Dimensional Information



WEIGHT =  $\frac{165\text{lbs.}}{74.8 \text{ kg.}}$

# Source Holder Side View

